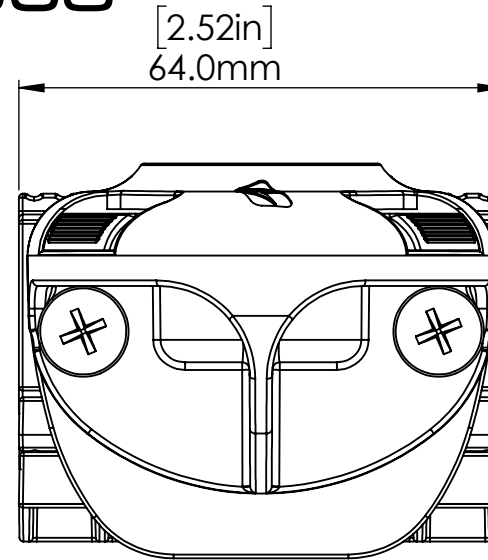
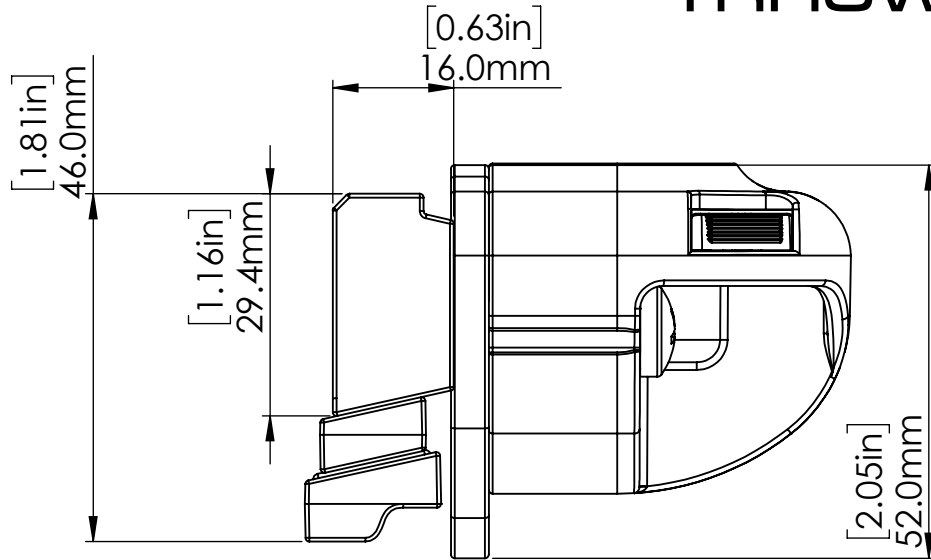
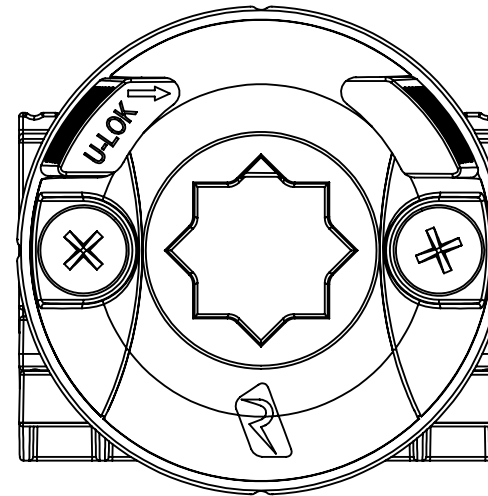
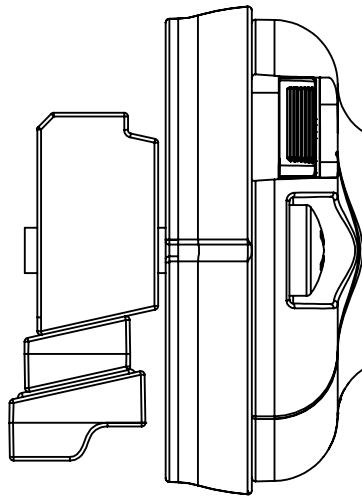


03-4126-11 & 03-4127-11 TRACWEDGE



Channel needs to be larger than 30mm to fit larger wedge



17/12/2021 DATE

PART NUMBER