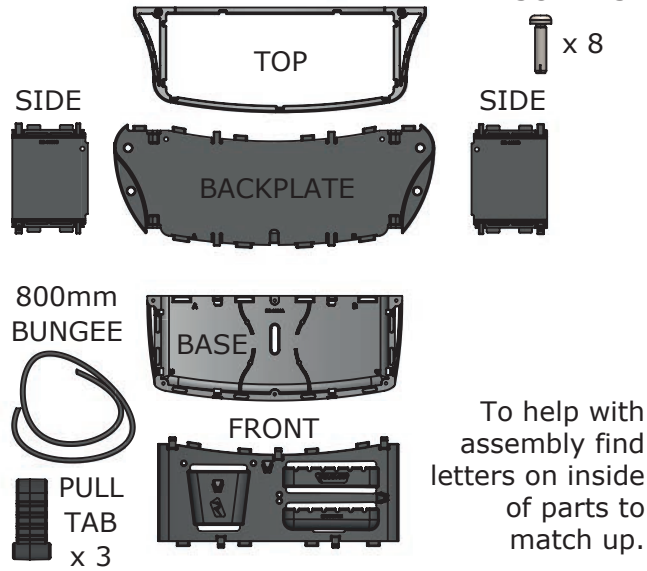


## RAILBLAZA TACKLE CADDY ASSEMBLY INSTRUCTIONS

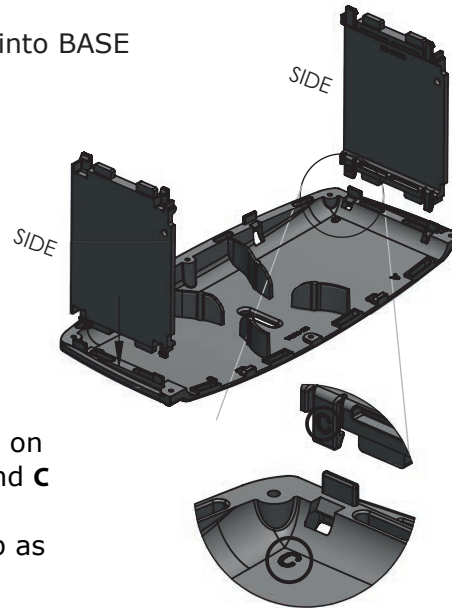
- YOU WILL NEED:**
- #1 pozi screwdriver
  - knife / scissors
  - tape (plastic or masking)

### WHAT YOU GET:



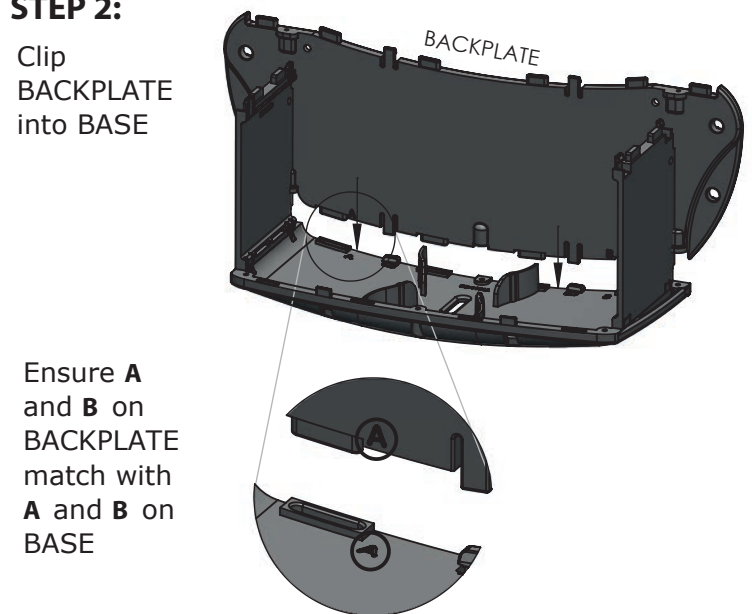
### STEP 1:

Clip SIDES into BASE



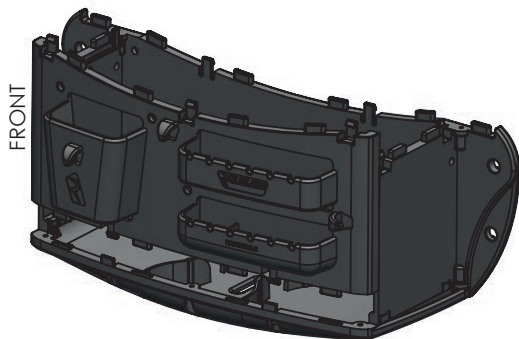
### STEP 2:

Clip BACKPLATE into BASE



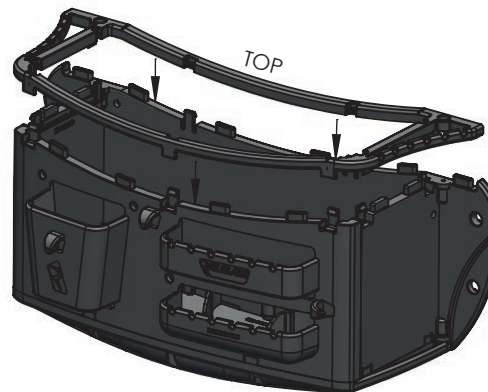
### STEP 3:

Clip FRONT into BASE



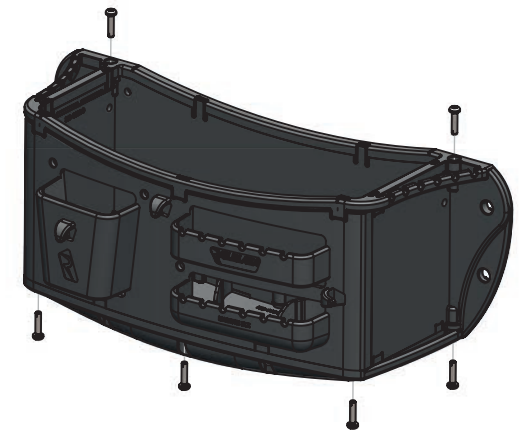
### STEP 4:

Clip TOP onto assembly securing the FRONT, SIDES and BACKPLATE



### STEP 5:

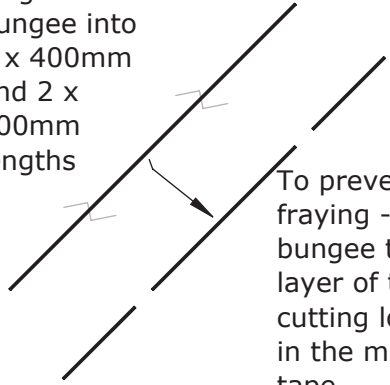
Use screwdriver to tighten 8 x self tapping screws into screw holes



## RAILBLAZA TACKLE CADDY ASSEMBLY INSTRUCTIONS BUNGEE INSTALLATION

### STEP 6:

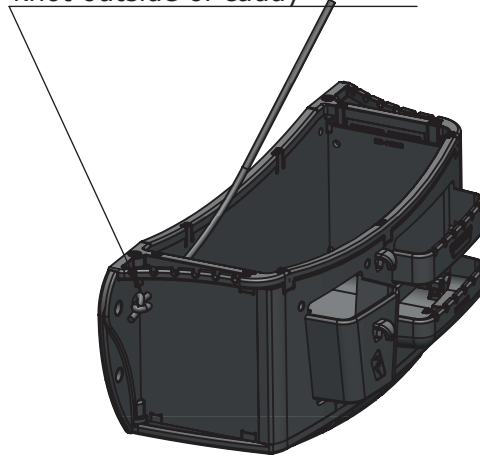
Cut 800mm length of bungee into 1 x 400mm and 2 x 200mm lengths



To prevent elastic from fraying - wrap the bungee tightly with one layer of tape at the cutting location and cut in the middle of the tape  
Leave tape on to help threading through holes in the next steps

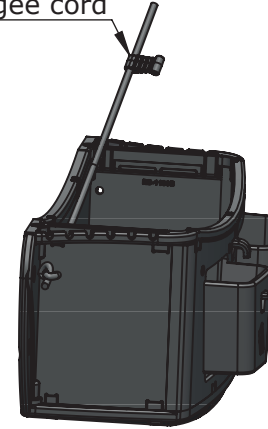
### STEP 7:

Thread longest length through hole in top of side and tie a knot outside of caddy



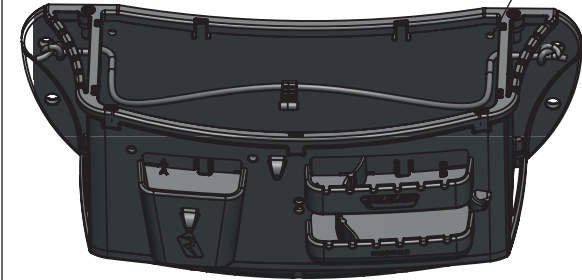
### STEP 8:

Thread pull tab onto bungee cord

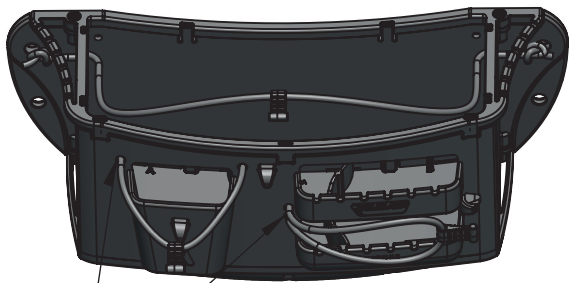


### STEP 9:

Complete the loop by threading through hole on opposite side of caddy and tying another knot behind



### STEP 10: (optional)

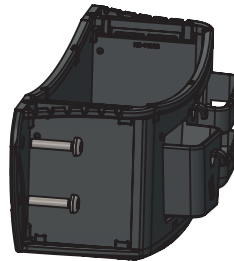


Add remaining two lengths of bungee in the same way using holes for each of the tool / utility pockets

### MOUNTING HARDWARE

#### CONSOLE MOUNT:

Use 4 x large screws to secure the Caddy to your console using holes in BACKPLATE either side of the Caddy



TIP: use the BACKPLATE as a template if you want to drill pilot holes

#### TRACK MOUNT: Select your T-bolt



##### Square Track Bolt

Can be used on:  
• Crestliner, SureMount Track 2018 onwards



##### T Bolt

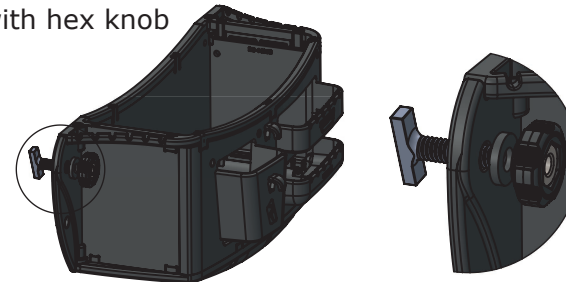
Can be used on:  
• Tracker, LOWE, Lund, Early Crestliner models, War Eagle and many more



##### T Bolt with cover fitted

Can be used on:  
• RAILBLAZA Gunnel Track  
• Horizon and Stessl boats Australia 2020 onwards.

Select upper or lower mounting hole on backplate and thread the trackbolt through from the back add rubber washer and secure with hex knob



#### STAR MOUNT:

Requires purchase of 02-4043-11 Attachment Adaptor

Fit one Male Star to either side of the Caddy as shown choosing either the upper or lower hole

