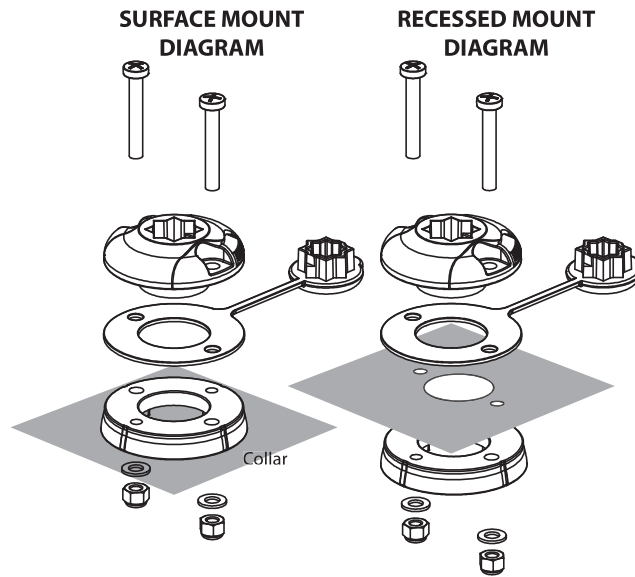
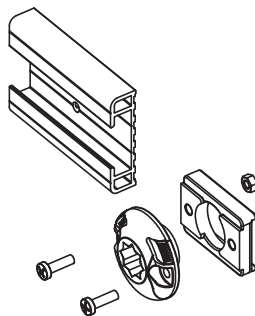
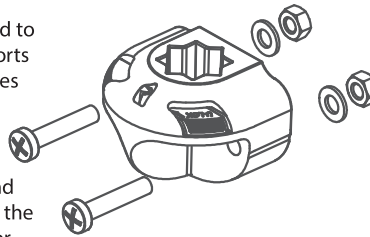


- 1) The StarPort™ can be mounted on the surface using the surface mount collar, recessed into any flat surface, or rail-mounted (kit sold separately).
- 2) Ensure you have adequate clearance behind the surface for screw and/or bolt penetration, and that no cabling, plumbing or rigging will be adversely affected.
- 3) We recommend the use of a waterproof sealant between the collar and the surface.
- 4) Assemble as shown below.



### SIDEPORTS

- 1) SidePorts are used to mount vertical ports on vertical surfaces and vice versa.
- 2) The mounting template suits both StarPorts and SidePorts. Follow the diagram below for mounting.



### TRACNUTS

- 1) Do not use the StarPort collar for installation.
- 2) Insert the nuts behind the TracPort before sliding the TracNut in. Follow the diagram below for mounting.
- 3) Note: you can also mount a SidePort into a TracNut.

RB-BC12.E

### Note:

**Use of Petroleum based lubricants on the StarPort slide will cause failure. Silicone based products are best suited. (Please check can contents before using).**

