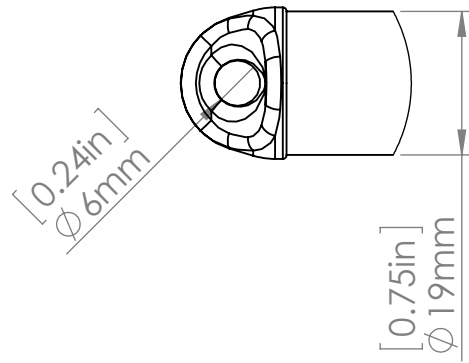


**Detail A**



**Detail B**

