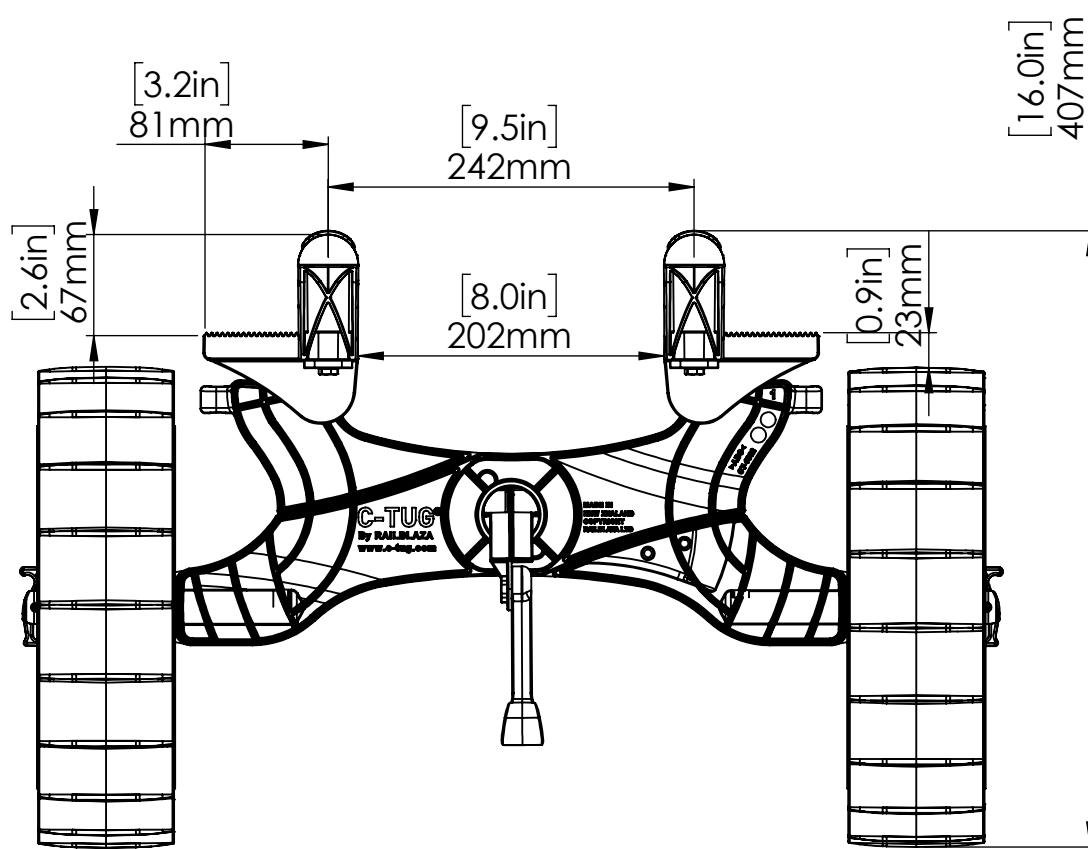
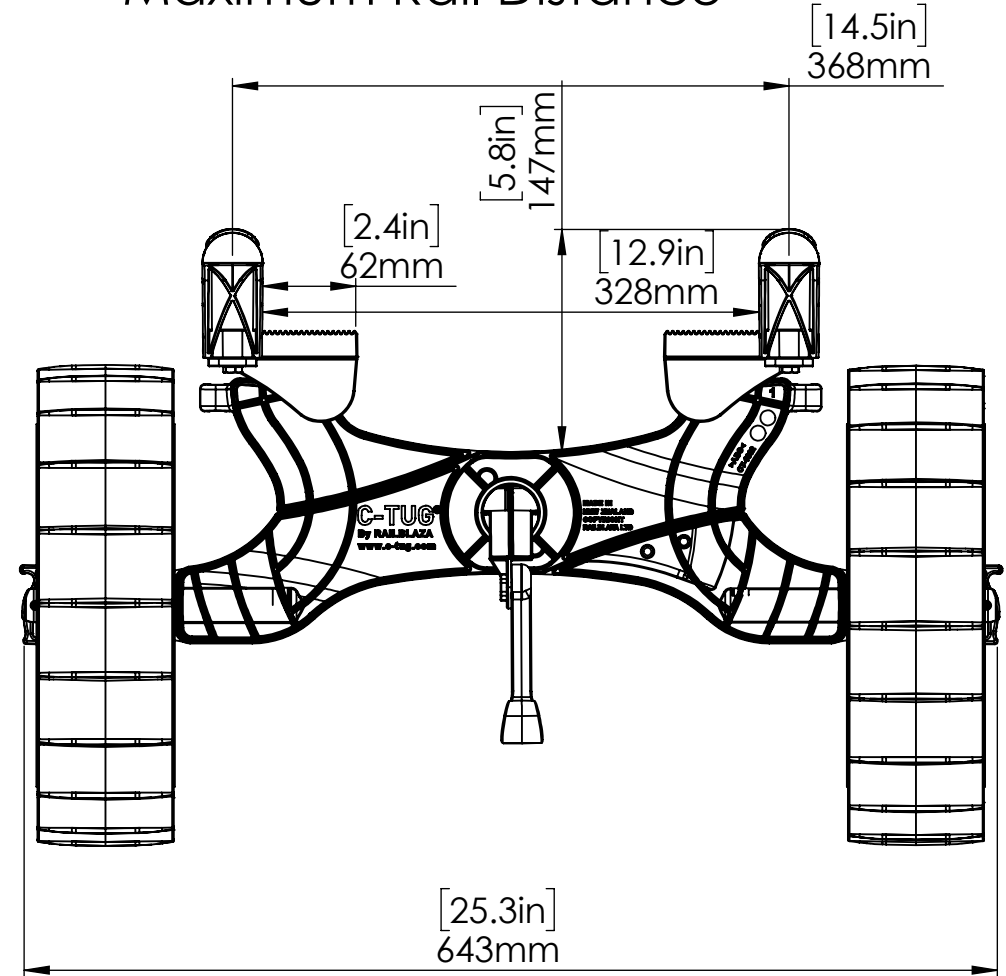


# 50-0014-71 C-TUG R WITH SANDTRAKZ

## Minimum Rail Distance



## Maximum Rail Distance



17/10/2022

DRAWN  
 SCALE  
 DATE

50-0014-71

PART NUMBER

SHEET