

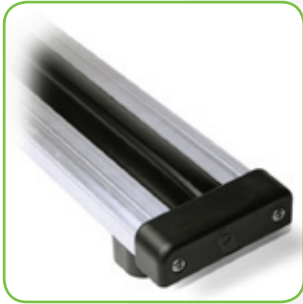


TRACPORT

You've spent good money insulating your engine room to keep it quiet. RAILBLAZA's TracPort™ mounting system 'floats' above your insulation, providing a strong, versatile framework to hold fuel filters, pumps, battery switches, blackboxes and a whole lot more. You can add, move and remove equipment on TracPort without cutting more insulation from your engine room. You can even span across pipes, hoses and wiring looms, reclaiming more installation space! TracPort is also 100% compatible with RAILBLAZA's StarPort™ range of handy interchangeable accessories, including eyes, hooks, G-HOLDS and adjustable platform mounts. TracPort extrusions come in 0.5, 1.0 and 1.5 m lengths, and are joinable.

The big advantages of the TracPort system are:

- Adjustable positioning on the extrusion
- Floats above engine room insulation, hoses and wiring, etc
- Avoids drilling multiple holes in bulkheads and panels



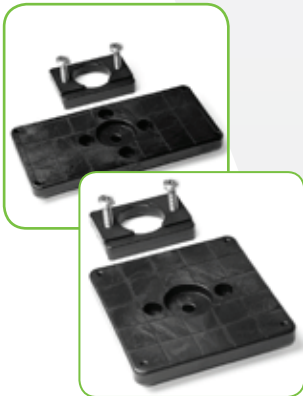
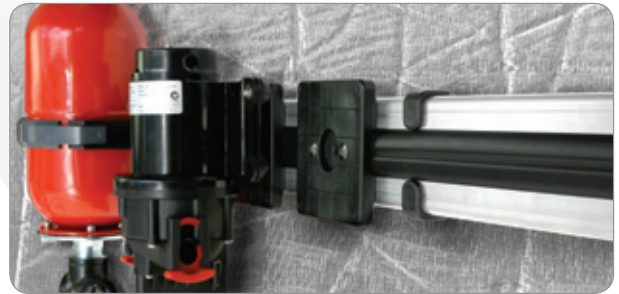
TRACPORT STARTER PACK

The basic extrusion, including mounting feet, endcaps, infill and all screws needed for installation. TracPort extrusions come in 0.5, 1.0 and 1.5 m lengths, and are joinable.

01-1105-61 *TracPort500 Kit, 500 mm.* Extrusion, 2 end caps, 2 mounting feet, joiner, infill cut to length, screws and bolts for assembly.

01-1110-61 *TracPort1000 Kit, 1000 mm.* Extrusion, 2 end caps, 3 mounting feet, joiner, infill cut to length, screws and bolts for assembly.

01-1115-61 *TracPort1500 Kit, 1500 mm.* Extrusion, 2 end caps, 4 mounting feet, joiner, infill cut to length, screws and bolts for assembly.



MOUNTING PADS

Equipment may be screwed or bolted into the pad. For larger equipment, two or more pads may be used to bridge the equipment along the extrusion. Ideally suited for mounting fuel filters, pumps, battery switches and a whole lot more.

Please note that this is NOT a StarPort accessory: the Mounting Pad bolts directly to the TracNut.

01-2001-11 *Mounting Pad 102 (102 x 102 mm)*

01-2002-11 *Mounting Pad 150 (150 x 70 mm)*



TRACPORT INSTALLATION COMPONENTS

TRACNUTS

Used as a strong base for connecting custom equipment to your TracPort System. Supplied in pairs.

01-2003-11 *TracNut x 2*



JOINER KIT

Allows you to add another extrusion inline with an existing TracPort.

01-2004-11 *Joiner Kit*



INFILL

A PVC insert to trim your TRACPort extrusion, if you need extra from what is supplied in your kit.

01-2005-21 *Infill 500 mm*

01-2010-21 *Infill 1000 mm*

01-2015-21 *Infill 1500 mm*





STARPORT & TRACPORT

Combining RAILBLAZA's innovative StarPort Mounting System to TracPort is a natural extension. TracPort offers a clean, adjustable, interchangeable storage solution for StarPort tasks.

- Adjustable positioning on the extrusion.
- StarPort accessories have a variety of lockable angles.
- StarPort accessories can be removed and replaced with different accessories.



STARPORT ATTACHMENT ADAPTER

The StarPort Adapter is the fundamental mount for the StarPort System. Attach it to any item you want, to make it StarPort-compatible!

The Adapter helps you maximise your StarPort system! StarPort Adapters are supplied in pairs.

02-3007-11 Adapter Black



STARPORT/TRACNUT COMBO

Can be positioned at any point within your TracPort system allowing the full range of StarPort accessories to be used. Extend the functionality of your engine room or storage area with HOOKS, EYES, G-HOLDS, WEBEYES, Platform Mounts and a lot more.

03-4101-11 StarPort TracNut Combo



ADJUSTABLE PLATFORM MOUNT

Allows the attachment of any platform-type product to a StarPort, eg. bait boards, barbecues, tables, etc. Adjustable angles forward and back 90°.

Supplied in singles.

02-4002-11 Adjustable Platform Black



HOOK25, EYE25, WEBEYE30

These simple accessories can be used in myriad ways. WEBEYES are crafted for webbing straps to reduce fold over.

Each accessory is supplied in pairs.

02-4004-11 HOOK25 Black

02-4003-11 EYE25 Black

02-4005-11 WEBEYE30 Black



G-HOLDS

Hold varying sizes of poles, like boathooks, oars, gaffs, long stabby things... You get the idea.

- Three diameters - 35, 50 or 75 mm (1.3, 2 or 3 in).
- They install in any RAILBLAZA StarPort™.
- The flexible quick-release strap has two securing points for minimum and maximum diameters

G-HOLDS are supplied in pairs.

02-4006-11 G-HOLD35 (Ø35 mm) Black

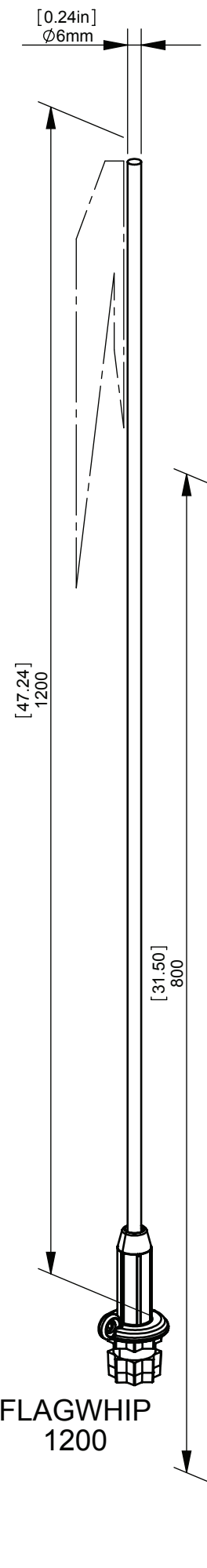
02-4007-11 G-HOLD50 (Ø50 mm) Black

02-4008-11 G-HOLD75 (Ø75 mm) Black

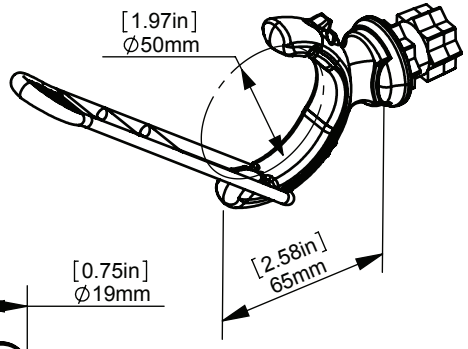


RAILBLAZA™

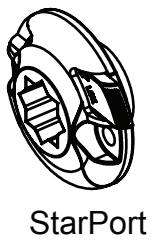
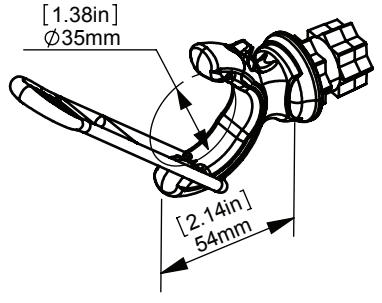
HOLD EVERYTHING...



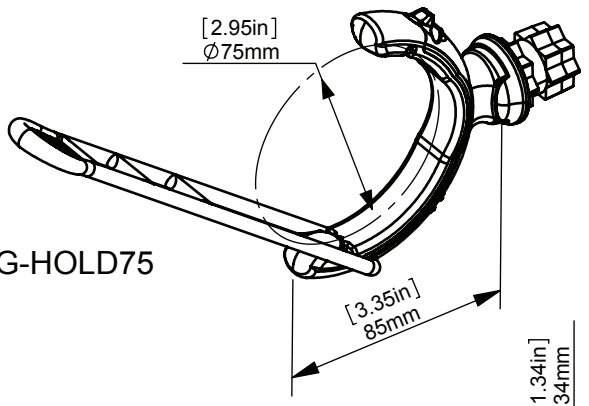
G-HOLD50



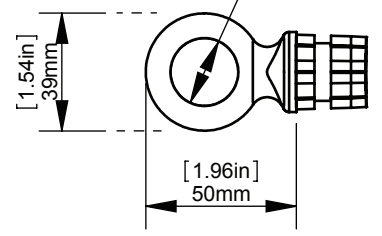
G-HOLD35



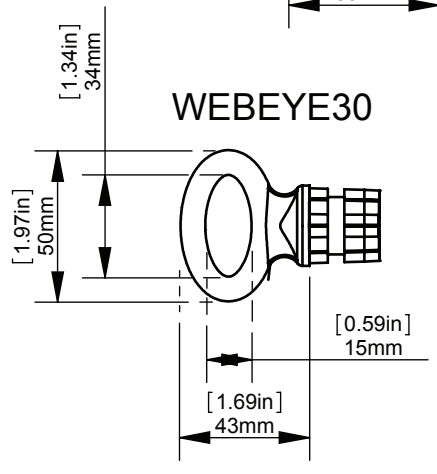
G-HOLD75



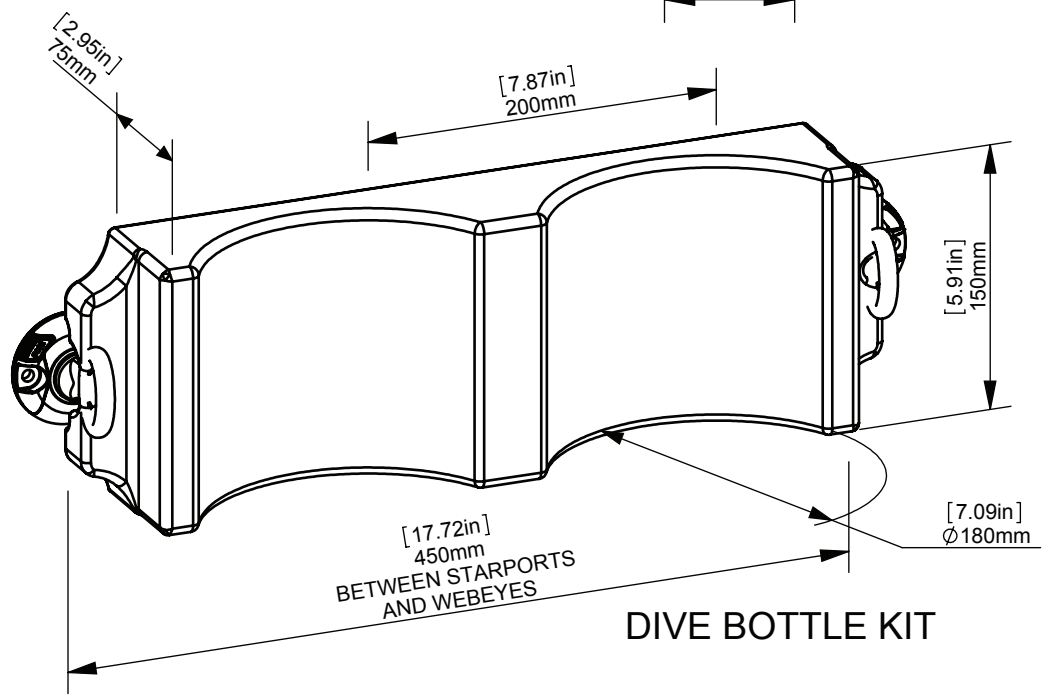
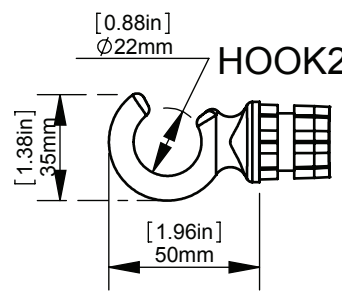
EYE25



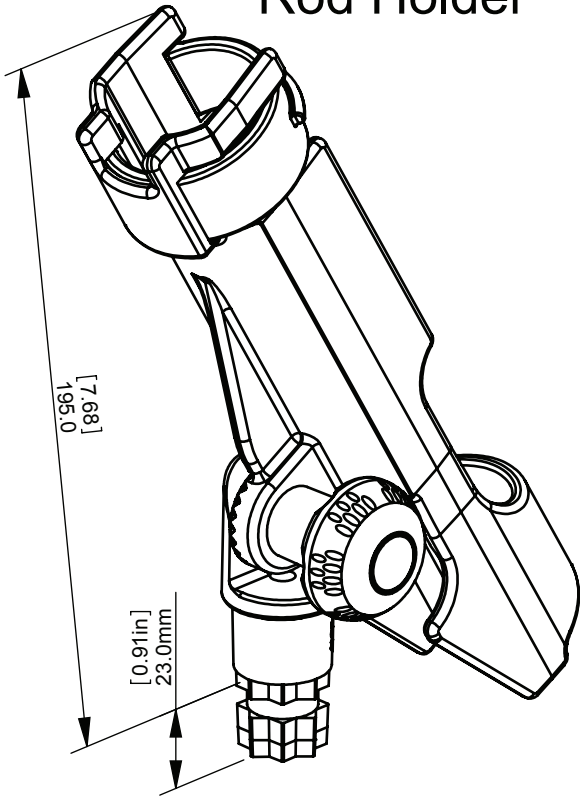
WEBEYE30



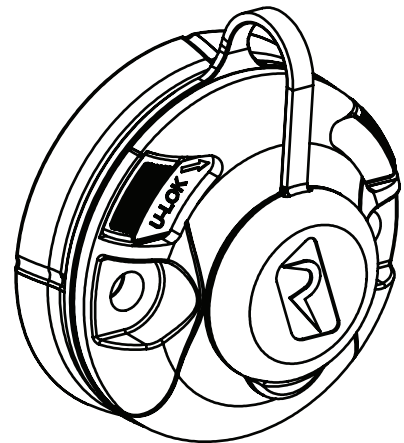
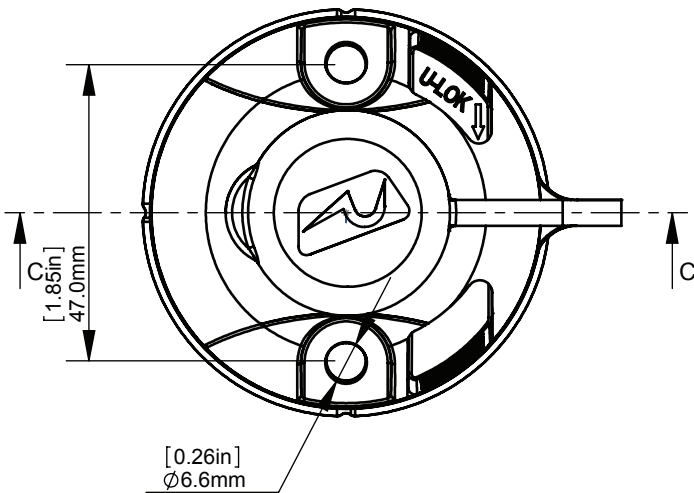
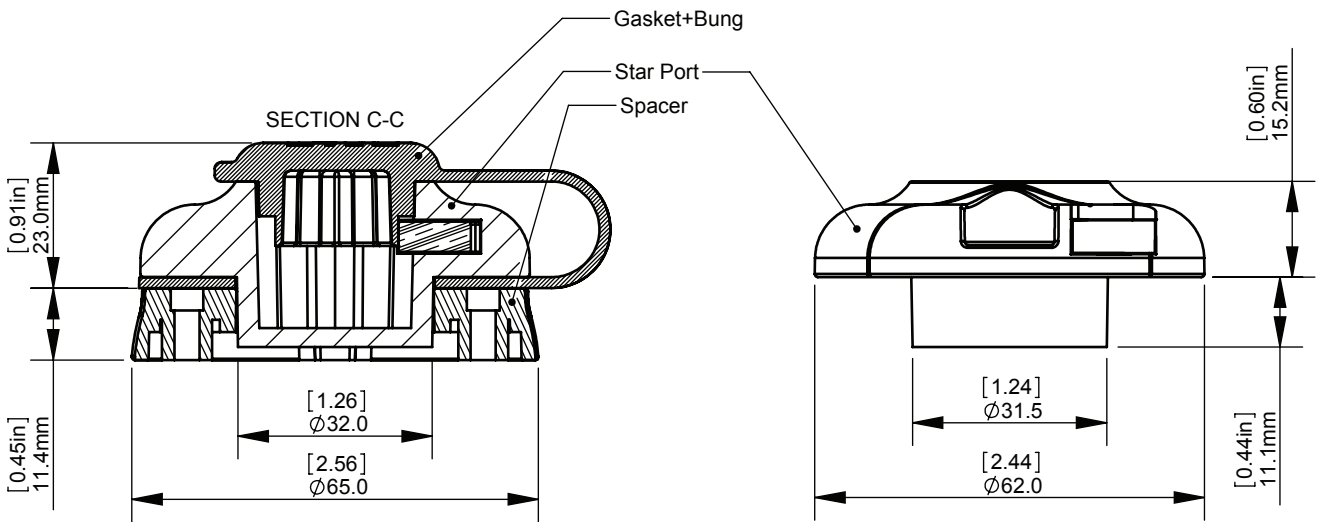
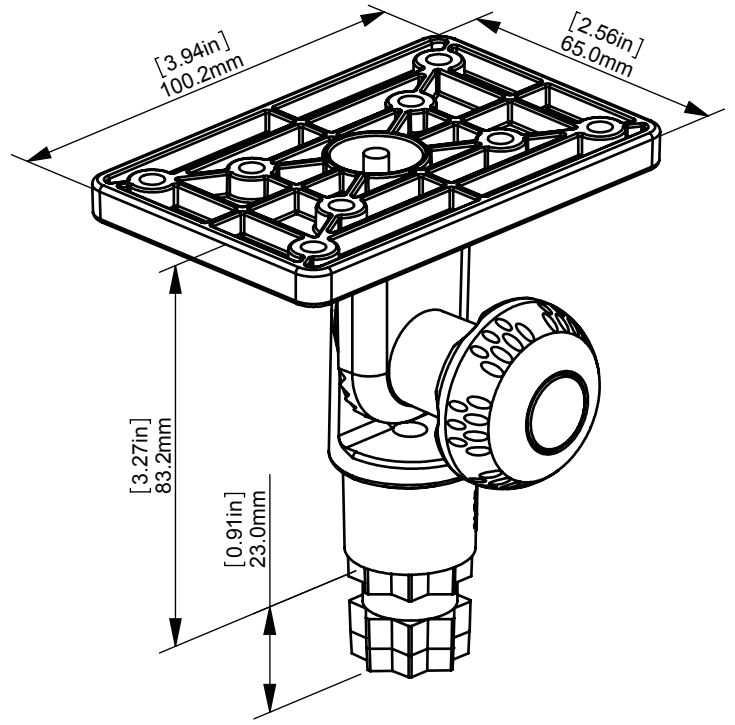
HOOK25



Rod Holder



Platform



	G-HOLD	StarPort	Adjustable Mount	RodHolder	Adapter	FlagPole Mount	Dive Bottle Holder	CupClam
AUS Reg. Design	10354/2010 Grant# 329922	Pending	Pending	Pending		Pending		
NZL Reg. Design	412593 Grant# 412593	413243	413244	413244	413237	413238	413245	413715
USA Design Patent	29/355,724	Pending	Pending	Pending		Pending		